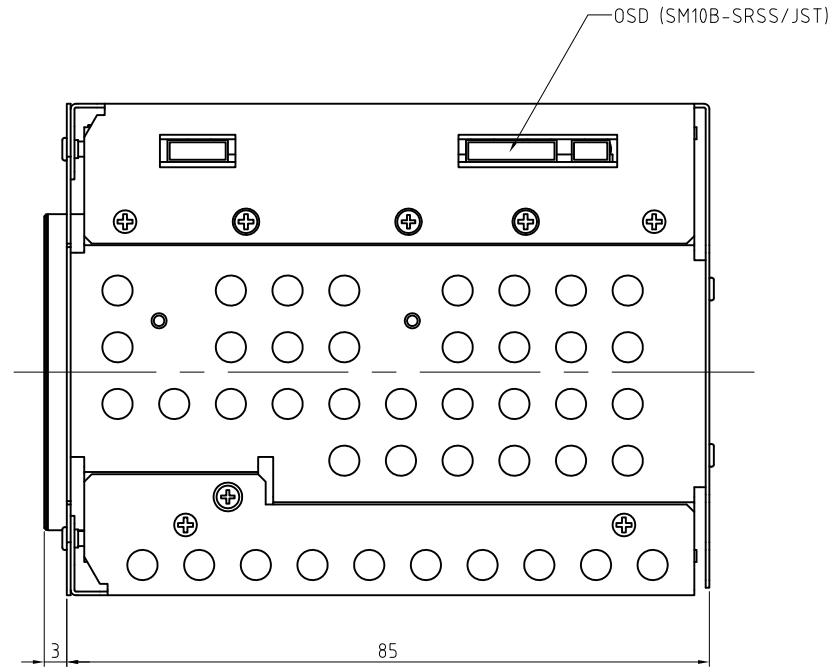
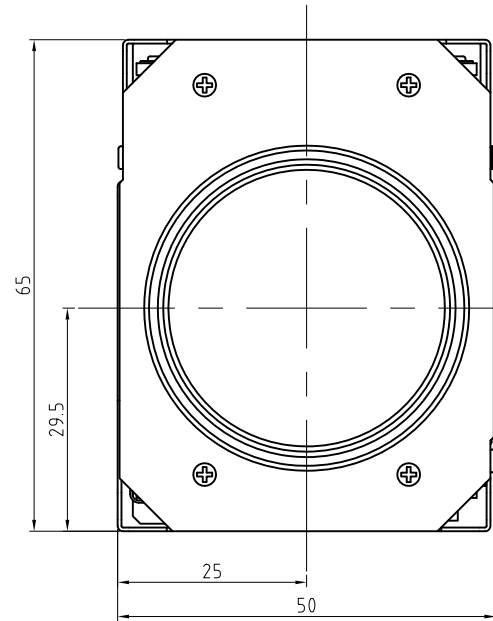
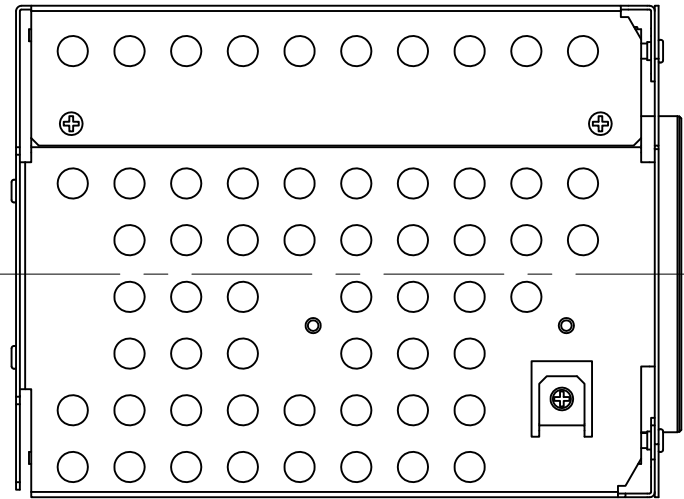
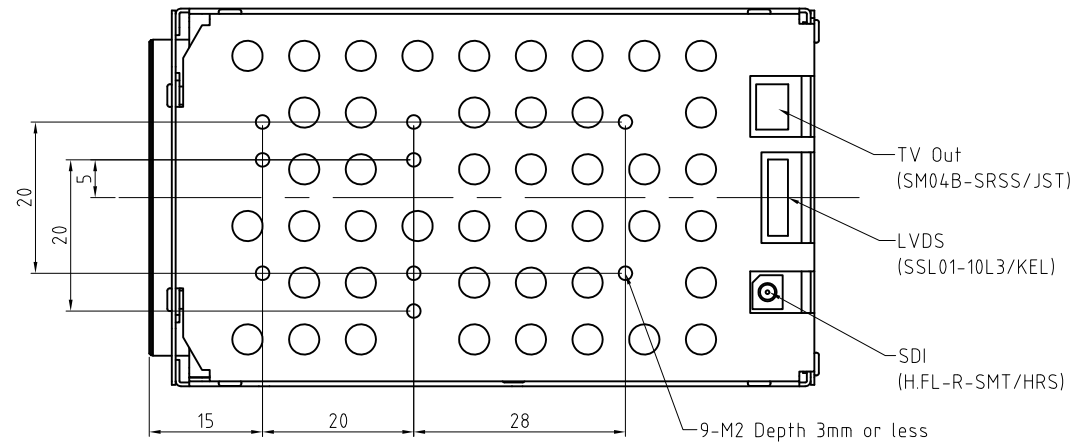
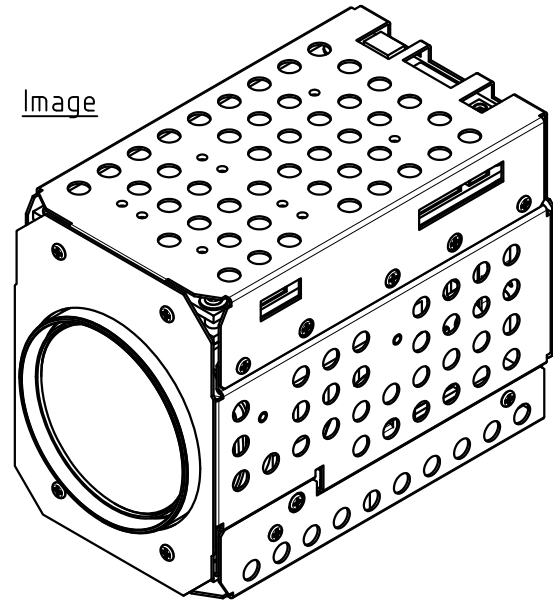
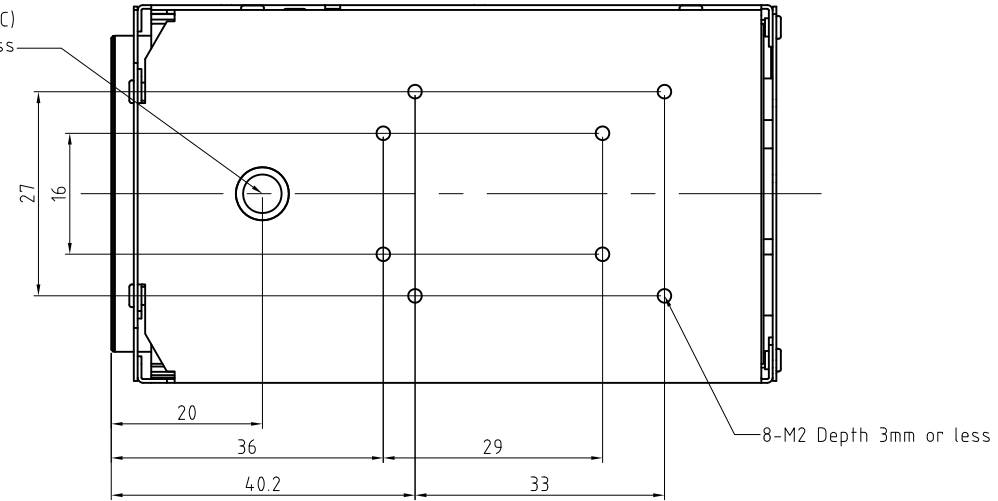


Image



Tripod Screw(1/4-20UNC)  
 Depth 5mm or less



※ RoHS Compliance

3	No.	Revision Note	date	sign	Designed by 2010/12/24 T.Fujihira	Checked by	Approved by	Angle 	Material	Drawing Name	
										ES2-Model Assy Dim.	
										Parts Code NO. 02-A0350-0x-00	
2	No.	Revision Note	date	sign	Designed by	Checked by	Approved by	Tolerance L ≤ 30 ±0.1 30 < L ≤ 50 ±0.15 50 < L ≤ 100 ±0.2 100 < L ≤ 200 ±0.3 200 < L ≤ 300 ±0.4 300 < L ±0.5	Color(Finish)	Drawing NO.	
										02-A0350-0x-00	
										Scale	
1	No.	Revision Note	date	sign	Designed by	Checked by	Approved by	Material	Color(Finish)	Project Name	
										AFx20 Full HD (仮称)	